

1. Application

EUROFLEX® Rocks can be used in a variety of ways as seating or bouncy stones to individually demarcate individual play areas or to complement the installation of trees.

2. Material

Core: recycled rubber granules
Surface layer: EPDM rubber granules
Binder: MDI polyurethane

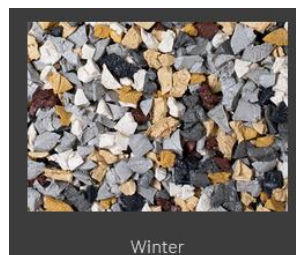
3. Product design



EPDM colour grey RAL 7038



EPDM mixture



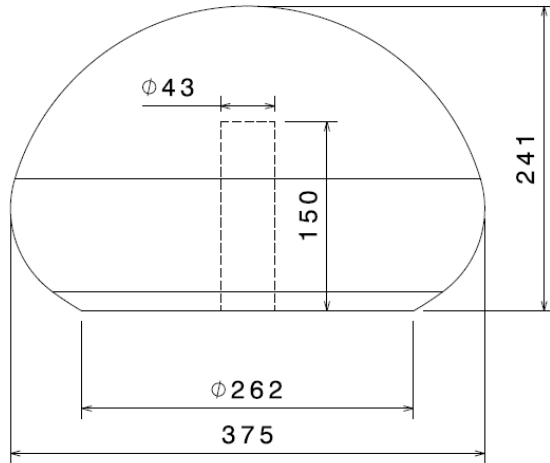
All information without guarantee, subject to change. The Data Sheet is not subject to any change service.
Each current and valid from can be recalled at www.kraiburg-relastec.com/euroflex

page 1 of 3

4. Dimension:

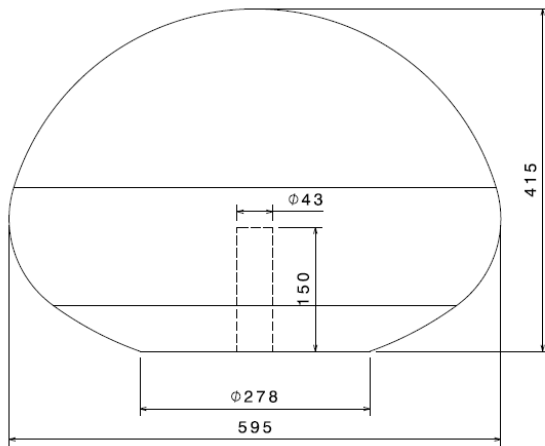
Small diameter 375mm

Weight: approx. 39kg



Large diameter 595mm

Weight: approx. 63kg



Tolerances: +/- 0,8%

Accessories

to be ordered separately:

Metal tube 75cm and adhesive cartridge

All information without guarantee, subject to change. The Data Sheet is not subject to any change service.
Each current and valid from can be recalled at www.kraiburg-relastec.com/euroflex

5. Test data

The product complies with the requirements of the Equipment Safety Act and has been tested for conformity in accordance with Regulation (EC) 1907/2006 SVHC list and Annex XVII /

Production site inspection

EPDM tests:

Fire class: Cfl-s1 DIN EN 13501-1:2010

Hardness: 62+5 Shore A

Migration of certain elements: EN 71-3

6. Installation Instruction

The substrate must be level. The design elements can be laid directly on an unbound or bound substructure.

For further information, please refer to the installation instructions.