

1. Application

This turns any plays cape into an idyllic little forest!
The treetops are made of rubber mixtures in the colors of the seasons and can be put together in different combinations of crown sizes and trunk heights. They therefore offer a wide range of design options.

2. Material

Tree crown

Rubber granules: Core: recycled rubber granules

Surface layer: EPDM rubber granules

Binder: MDI Polyurethane

Stem

Recycled rubber granules, MDI polyurethane

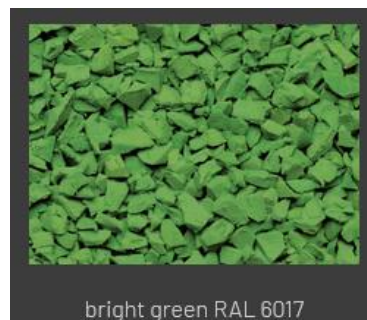
3. Product design



Color combinations treetop

EPDM colour: green RAL 6021

bright green RAL 6017



All information without guarantee, subject to change. The Data Sheet is not subject to any change service.
Each current and valid from can be recalled at www.kraiburg-relastec.com/euroflex

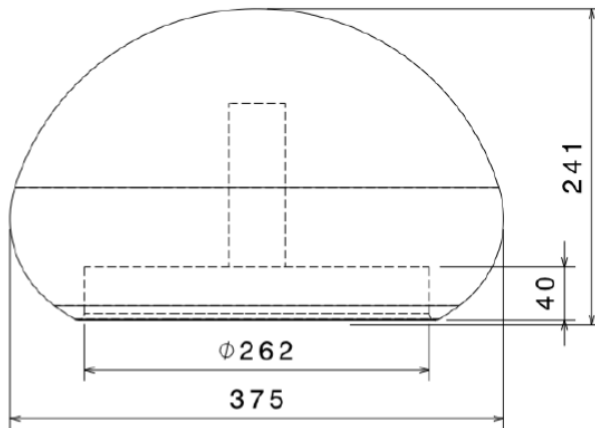
EPDM mixtures



4. Dimension:

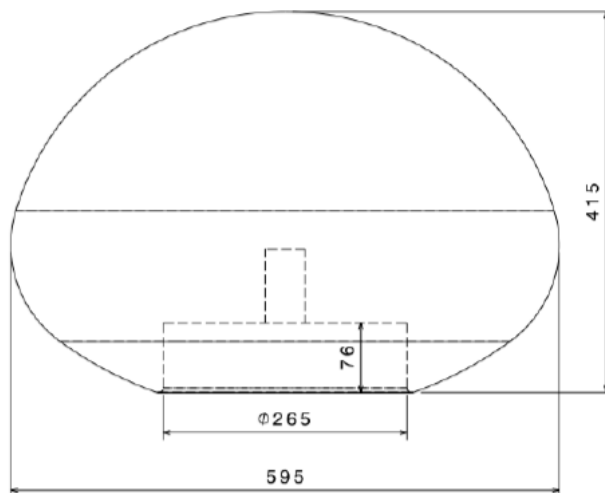
Treetop small diameter 375mm

Weight: approx. 39kg



Treetop large diameter 595mm

Weight: approx. 63kg



All information without guarantee, subject to change. The Data Sheet is not subject to any change service.
Each current and valid from can be recalled at www.kraiburg-relastec.com/euroflex

Steam colour red

Dimensions / Weight:	200 x 255 mm (including socket) / approx. 8,0 kg/ unit 300 x 255 mm (including socket) / approx. 13,0 kg/ unit 400 x 255 mm (including socket) / approx. 16,0 kg/ unit 500 x 255 mm (including socket) / approx. 20,0 kg/ unit
Dimensional tolerances:	+/- 0,8 % (minor colour variations and/or fading possible)

Accessories to be ordered separately:

Metal tube:

- for tree crown 595 mm: 75 cm length
 - for tree crown 375 mm: 40 cm (for trunk height trunk height up to 300 mm), 75 cm (from trunk height trunk height 400 mm)
- optionally with screw-in sleeve and adhesive cartridge, depending on the surface

5. Test data

The product complies with the requirements of the Equipment Safety Act and has been tested for conformity in accordance with Regulation (EC) 1907/2006 SVHC list and Annex XVII /

Production site inspection

EPDM tests:

Fire class: Cfl-s1 DIN EN 13501-1:2010
Hardness: 62+5 Shore A
Migration of certain elements: EN 71-3

6. Installation Instruction

The substrate must be level. The design elements can be laid directly on an unbound or bound substructure.

For further information, please refer to the installation instructions.